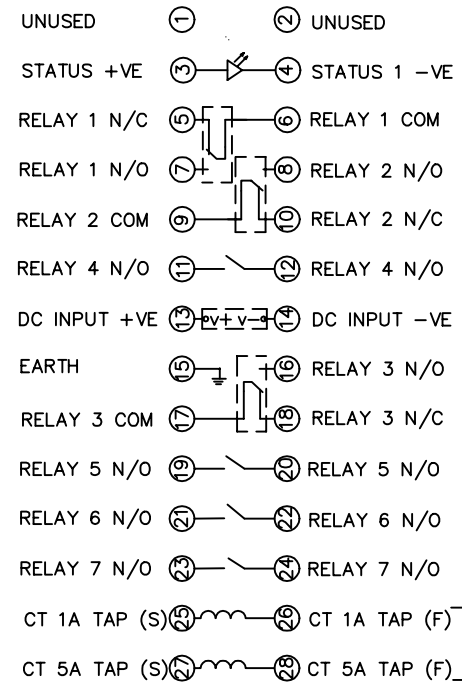
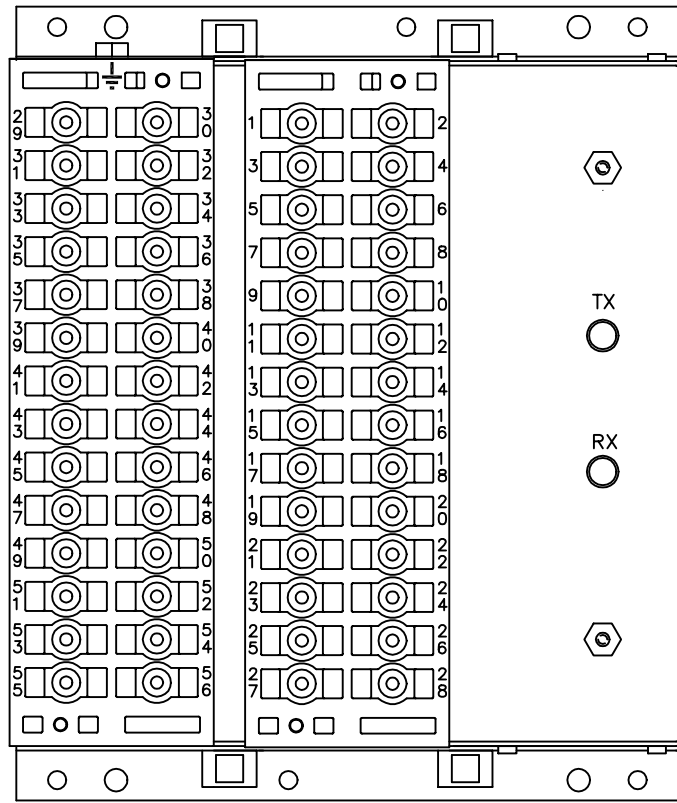
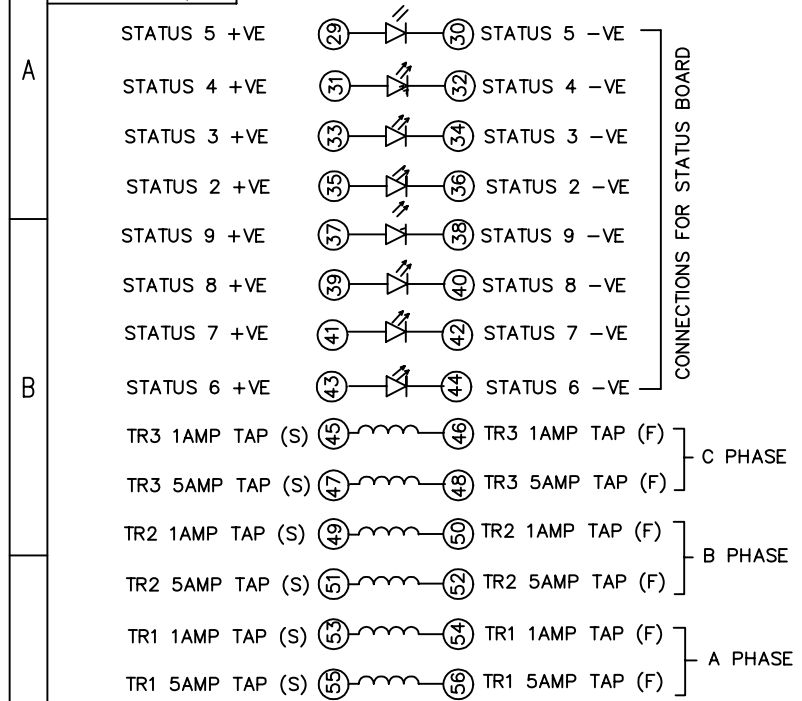


IF IN DOUBT ASK  
DO NOT SCALE

BOX VIEWED FROM REAR



NOTES

1 TERMINALS RECOMMENDED ARE PRE INSULATED & MUST BE CRIMPED USING APPROVED TOOLING. AMP PIDG OR PLASTI GRIP FUNNEL ENTRY (RING TONGUE) FOR M4 FIXING STUD.  
 SUPPLIER AMP CABLE SIZE  
 AMP 342103 0.25-1.6 SQ MM  
 AMP 342143 1.0-2.6 SQ MM.  
 OR ANY OTHER MANUFACTURERS EQUIVALENT TERMINAL.  
 2 FOR OUTLINE & DRILLING DRG SEE 2995X10006 (A4).

| PROTECTION TYPE           | SCHEMATIC DIAGRAM |
|---------------------------|-------------------|
| LINE CTs                  | 2681W10001 A3     |
| SEPERATE CORE BALANCE CTs | 2681W10002 (A3)   |

OUTER TERMINAL BLOCK ASSY:-  
VIEW BLOCK FROM THE INSIDE FACE

|    |       |    |    |
|----|-------|----|----|
| 30 | S     | S  | 29 |
| 32 | S     | S  | 31 |
| 34 | S     | S  | 33 |
| 36 | S     | S  | 35 |
| 38 | S     | S  | 37 |
| 40 | S     | S  | 39 |
| 42 | S     | S  | 41 |
| 44 | S     | S  | 43 |
| 46 | -o-o- | 45 |    |
| 48 | -o-o- | 47 |    |
| 50 | -o-o- | 49 |    |
| 52 | -o-o- | 51 |    |
| 54 | -o-o- | 53 |    |
| 56 | -o-o- | 55 |    |

ASSEMBLY INSTRUCTIONS:-  
 TYPICAL ASSEMBLY DRAWING 2995G10029  
 AT INDICATED POSITIONS FIT AS FOLLOWS,  
 S - FIT STANDARD CONTACT  
 2995B10051  
 HC - FIT 'HEAVY CURRENT' KIT  
 2995G10030  
 WHERE -o-o- IS SHOWN FIT  
 CT SHORTING KIT 2995G10031  
 POSITIONS SHOWN BLANK ARE UNUSED  
 ALL POSITIONS FIT SCREW 2101F12506

CHASSIS TERMINAL BLOCK ASSY:-  
VIEW FROM NUMBERED SIDE OF BLOCK

|    |   |   |    |
|----|---|---|----|
| 2  | T | T | 1  |
| 4  | T | T | 3  |
| 6  | T | T | 5  |
| 8  | T | T | 7  |
| 10 | T | T | 9  |
| 12 | T | T | 11 |
| 14 | T | T | 13 |
| 16 | T | T | 15 |
| 18 | S | S | 17 |
| 20 | S | S | 19 |
| 22 | S | S | 21 |
| 24 | S | S | 23 |
| 26 | S | S | 25 |
| 28 | S | S | 27 |

ASSEMBLY INSTRUCTIONS:-  
 TYPICAL ASSEMBLY DRAWING 2995G10032  
 AT INDICATED POSITIONS FIT AS FOLLOWS,  
 T - FIT TRIP ISOLATION CONTACT  
 2995B10053  
 S - FIT STANDARD CONTACT  
 2995B10054  
 POSITIONS SHOWN BLANK ARE UNUSED

OUTER TERMINAL BLOCK ASSY:-  
VIEW BLOCK FROM THE INSIDE FACE

|    |       |    |    |
|----|-------|----|----|
| 2  | S     | S  | 1  |
| 4  | S     | S  | 3  |
| 6  | -o-o- | 5  |    |
| 8  | S     | S  | 7  |
| 10 | -o-o- | 9  |    |
| 12 | S     | S  | 11 |
| 14 | S     | S  | 13 |
| 16 | S     | S  | 15 |
| 18 | -o-o- | 17 |    |
| 20 | S     | S  | 19 |
| 22 | S     | S  | 21 |
| 24 | S     | S  | 23 |
| 26 | -o-o- | 25 |    |
| 28 | -o-o- | 27 |    |

ASSEMBLY INSTRUCTIONS:-  
 TYPICAL ASSEMBLY DRAWING 2995G10029  
 AT INDICATED POSITIONS FIT AS FOLLOWS,  
 S - FIT STANDARD CONTACT  
 2995B10051  
 HC - FIT 'HEAVY CURRENT' KIT  
 2995G10030  
 WHERE -o-o- IS SHOWN FIT  
 CT SHORTING KIT 2995G10031  
 POSITIONS SHOWN BLANK ARE UNUSED  
 ALL POSITIONS FIT SCREW 2101F12506

CHASSIS TERMINAL BLOCK ASSY:-  
VIEW FROM NUMBERED SIDE OF BLOCK

|    |   |   |    |
|----|---|---|----|
| 2  | S | S | 1  |
| 4  | T | T | 3  |
| 6  | S | S | 5  |
| 8  | T | T | 7  |
| 10 | S | S | 9  |
| 12 | T | T | 11 |
| 14 | S | S | 13 |
| 16 | T | S | 15 |
| 18 | S | S | 17 |
| 20 | T | T | 19 |
| 22 | T | T | 21 |
| 24 | T | T | 23 |
| 26 | S | S | 25 |
| 28 | S | S | 27 |

ASSEMBLY INSTRUCTIONS:-  
 TYPICAL ASSEMBLY DRAWING 2995G10032  
 AT INDICATED POSITIONS FIT AS FOLLOWS,  
 T - FIT TRIP ISOLATION CONTACT  
 2995B10053  
 S - FIT STANDARD CONTACT  
 2995B10054  
 POSITIONS SHOWN BLANK ARE UNUSED

**NOT SUBJECT TO UPDATE  
ONCE COPIED / PRINTED  
OR DOWNLOADED**

|   |          |              |
|---|----------|--------------|
| 3 | 19/4/02  | MN434/2292   |
| 2 | 22/11/99 | MN434/150    |
| 1 | 20/7/99  | CHANGE NOTED |

Copyright © 1999 Reyrolle Ltd.

MATERIAL:

|  |                                 |  |                   |
|--|---------------------------------|--|-------------------|
| Dimensions in millimetres : Surface texture in micrometres.<br>Machine where marked ✓<br>For explanation of dimensions, tolerances, notes etc. see B.S.308.<br>Limit on untoleranced unmachined dimensions ± _____<br>Limits on untoleranced machined dimensions to B.S.4500;<br>i.e. up to 6±0.1; over 30 to 120±0.3; over 315±0.8;<br>over 6 to 30±0.2; over 120 to 315±0.5;<br>General unmachined angular tolerance ± _____ | Finish:                         | Title:   | First used on:    |
|  | Treatment:                      | TERMINAL IDENTIFICATION & RELAY WIRING DIAGRAM<br>RHO 3 MOTOR PROTECTION (E6 CASE) | Similar Articles: |
|  | Reyrolle Protection<br>Hebburn. | Original Scale:<br>NTS   | Supersedes:       |
|  |                                 | Drg. No.<br>2681W50001   |                   |